

GAT Access 6600

Access Control Terminal with RFID and Barcode

Application

The GAT Access 6000 is a stylish terminal for access control in leisure facilities such as public swimming pools, indoor and outdoor water parks, attraction parks, etc.. For convenient operation by the guests the terminal is mounted directly on turnstiles or similar access control applications. Identification at the terminal is done either with barcode tickets (1D and 2D) or with contact-free RFID data carriers (Radio Frequency Identification).

The clear interface guides the user through the various, well-structured levels. The different versions (see order information) give technological flexibility.

The GAT Access 6600 can be used in indoor areas and in outside areas as well.



Function description

The GAT Access 6600 reads 1D barcodes and 2D barcodes (for example QR-codes) as well as contact-free RFID data carriers and checks and grants authorisations.

To read barcode tickets the terminal is equipped with a CMOS barcode reader. The large reading slot allows for convenient insertion of barcode tickets in different forms. If the reading slot module is removed it is even possible to read barcodes which are opened on a mobile phone display. The barcode reader is a CMOS reader type.

If there are also RFID data carriers used in the facility, it is also possible to identify the users by their RFID data carriers. Therefore the user holds the data carrier over the round scan field on the front.

The large, clearly visible traffic light display on top of the device and next to the display, the LEDs in the RFID scan field and the barcode reading slot as well as the acoustic signal indicate authorisation.

Highlights

- Activation of turnstiles, doors etc. via relay outputs
- Feedback inputs
- Reading slot for barcode tickets (removable)
- 1D barcodes and 2D barcodes (e.g. QR-codes)
- Barcode tickets of almost any common size possible
- Mobile tickets - 1D and 2D barcodes received by mobile phones
- Print@Home tickets - tickets printed at home on A4 or US letter paper size resp.
- Illuminated, round scan field for RFID data carriers
- Secure data transmission between reader and data carrier
- Robust stainless-steel and plastic enclosure with safety glass
- Suitable for outdoor use
- Mounting on tube holder
- Optional holder below the GAT Access 6600 for holding larger barcode tickets or smartphones

Order information

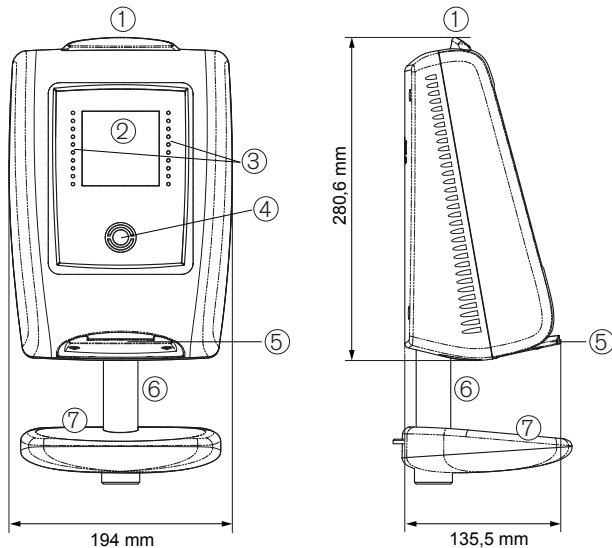
Description	PartNo.
GAT Access 6600 ISO	---
Access control terminal with barcode and contact-free RFID reader for ISO 15693 data carriers	
GAT Access 6600 F	---
Access control terminal with barcode and contact-free RFID reader for MIFARE™ data carriers	
GAT Access 6600 B	---
Access control terminal with barcode and contact-free RFID reader for LEGIC® data carriers	

Technical data

Nominal voltage:	12/24 VDC
Permitted input voltage:	10 to 28 VDC
Aver. power consumption:	12 W (without optional heating)
Data storage:	Internal flash memory for configuring and booking memory, data preservation min. 10 years
RFID reader types:	See order information
Control elements:	- RFID reader - Barcode reader
Display elements:	- Full graphics monochrome display with white LED background lighting, resolution 128 x 128 pixels, visible area 65 x 65 mm - Barcode reader slot (illuminated) - RFID reader (illuminated) - Large integrated traffic light display (green = access granted, red = access denied) - Acoustic signal
Barcode reader:	CMOS reader reads 1D and 2D barcodes, also possible with smartphone displays

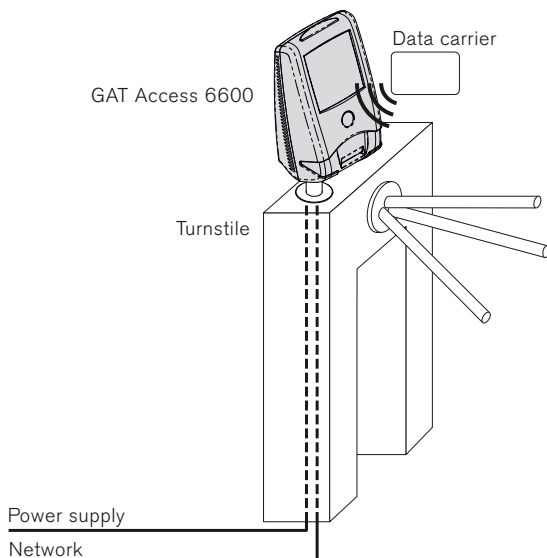
Host interface:	Ethernet 10/100 Mbit/s and RS 485
Software integration:	via DLL for C#
Signal inputs:	4 x optocouplers (configurable) - Input voltage: 0 to 30 VDC $U_{Low} < 2 \text{ VDC}$, $U_{High} > 6 \text{ VDC}$ - Input current: 4.5 mA
Signal outputs:	4 x relays (configurable NO/NC) - Switching voltage: max. 30 VAC/DC - Continuous current: max. 2 A - Switching power: max. 60 VA
Connection terminals:	0,5 to 1,5 mm ²
Housing material:	Stainless-steel and plastic with safety glass front
Dimensions (housing):	approx. 208.6 x 194 x 135.5 mm (approx. 8.21 x 7.64 x 5.33 inch)
Permitted ambient temperature:	-10 to +55°C (-25 to +65°C with optional heating)
Storage temperature:	-25 to +70°C
Protective type:	IP 44
Protective class:	I
Weight:	approx. 2 kg

Dimensions





1. Traffic light display (three colours)
2. Monochrome display
3. Status LEDs
4. Illuminated, round RFID scan field
5. Inset for barcode tickets (removable for larger for barcodes or smartphones)
6. Holder tube (not included in scope of delivery)
7. Holder for barcode tickets (optional)

Typical application



Safety instructions

-  - This device must be installed by qualified personnel only.
- The applicable safety and accident prevention regulations must be observed.
- Safety devices must not be removed.
- Please observe the technical data of the device specified on the data sheet.
-  - The device must be disconnected from the power supply prior to installation, assembly or dismantling.