

GAT Lock 6010 F

Battery operated lock MIFARE®

Application

The GAT Lock 6010 F is the ideal solution for the convenient electronic locking of wardrobe lockers in fitness clubs, baths, golf resorts and other individual company applications such as filing cabinets or safes. The identification at the lock is carried out via contactless RFID data carriers (Radio Frequency Identification). Chip cards in ISO format, chip wristlets, key tags etc. can be used as data carriers.

The GAT Lock 6010 F is suitable for any kind of locker material (wood, HPL, fully synthetic materials, glass and steel sheets) and can be used on both left and right handed opening doors. The various operating modes enable the rather flexible use of these locks.



Functional description

Lockers can be electronically locked and opened with the GAT Lock 6010 F. The user simply presses the button of the lock with the data carrier. The locker electronic gets activated and checks the authorisation of the data carrier. In case of valid authorisation the locker door is locked or unlocked by the GAT Lock 6010 F respectively. If the locker is electronically locked, the button remains in the pressed position.

Highlights

- Status display via the button position
- Free and personal locker selection
- Rental locker function
- Selectable operation mode
- Recording of the last 50 identifications
- Reliable data transmission between the reader and data carrier
- Configuration via a PC/laptop
- Easy retrofitting of lockers already in place

Order information

Description	PartNo.
GAT Lock 6010 F Battery lock for MIFARE® data carriers, housing dark grey, button light grey, without battery, without front label	820679

Accessories

Description	PartNo.
Manual GAT Lock 6010 F Operating and installation instructions in English	984488
GAT Lock Basic Set 6000 F Package with configuration software, PC-cable, 3 master data carriers, 4 system data carrier, 1 battery key, 1 door label and 5 operating instructions label	736483
GAT Chip Card 6000 F Master Master data carrier for GAT Lock 6010 F	736786
Front Label GAT Lock 6000 GEA without No Self-adhesive front label, without number	154780
Front Label GAT Lock 6000 GEA with No Self-adhesive front label, with number	146377
Front Label GAT Lock 6000 BED Self-adhesive front label, with graphical operating instructions	154881
Battery 6V Lithium 2CR5 Battery	125273
GAT Battery Key Key for opening the battery compartment	128276
GAT Chip Card 200 F MIFARE® chip card, 1 kbyte, blank white, uncoded	500371

Technical data

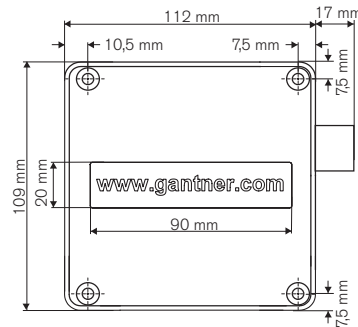
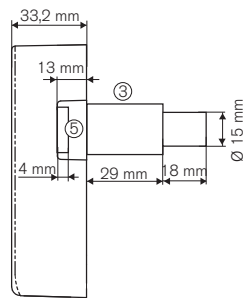
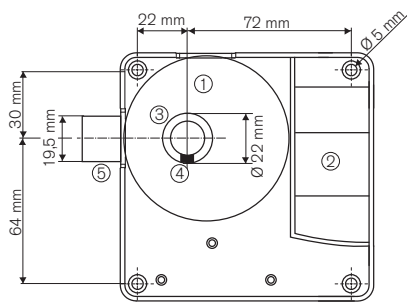
Power supply:	6 V battery 2CR5
Usable battery types:	- Manufact.: Panasonic, Type 2CR5 - Manufact.: Ansmann, Type 2CR5 - Manufact.: Sanyo, Type Y-PC-2CR5-I - Manufact.: Duracell, Type 2CR5
Battery life-time:	Approx 3 years* at +20 °C
Data storage:	EEPROM for 50 bookings, data preservation also by battery change
Internal clock:	Quartz-controlled real time clock
Reader type:	MIFARE®
Frequency of read field:	13.56 MHz
Range of read field:	5 to 35 mm, according to the installation and data carrier

* depending on battery type and battery quality

Control element:	Button
Display element:	LED (red / green / orange)
Configuration interface:	RS 232
Housing:	Plastic (PC-ABS), halogen-free
Housing colour:	dark grey
Dimensions:	112 x 110 x 33 mm
Permitted ambient temperature:	0 to +60°C
Protection type:	IP 52
Protection class:	III
Weight:	0.2 kg
Environment class based on VDS 2110:	II (conditions in indoor areas)

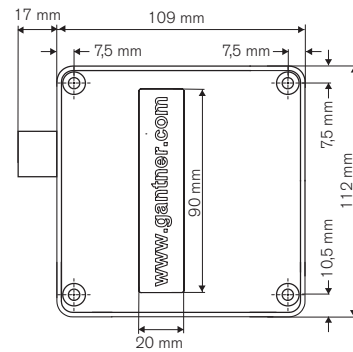
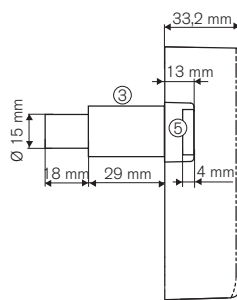
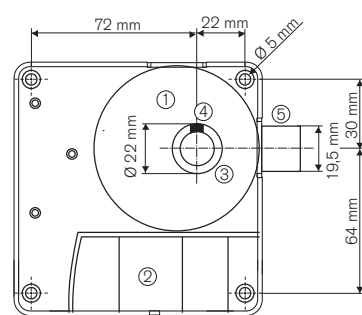
Dimensions

For left-side mounted door



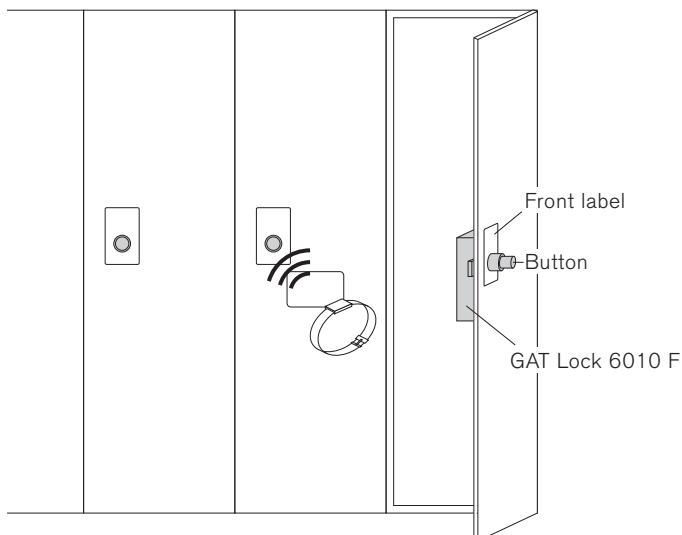
1. Lock electronics
2. Battery compartment
3. Button
4. LED display
5. Locking bolt

For right-side mounted door



Typical application

Row of lockers

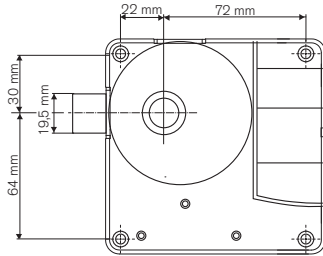


Mounting and installation instructions

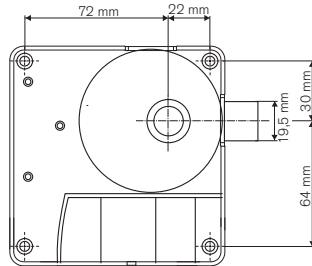
The GAT Lock 6010 F can be used in lockers with metallic doors (plate doors) or non metallic doors and is mounted by way of 4 screws on the inside of the locker door. The button requires a drilled hole in the door. Observe the installation instructions in the Manual GAT Lock 6010 F.

Mounting

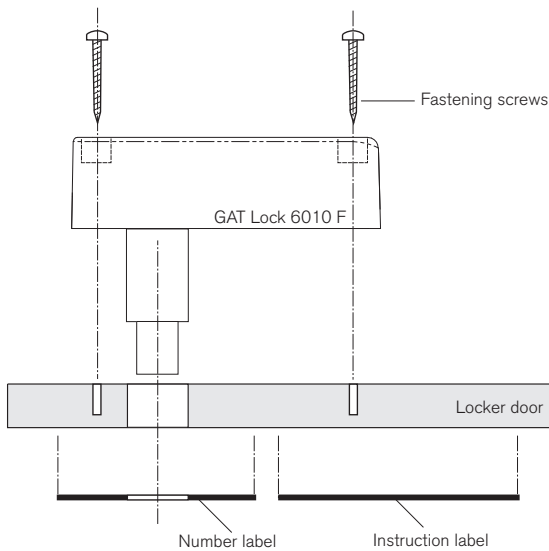
left-side mounted door:



right-side mounted door:



As the GAT Lock 6010 F is suitable for very diverse installation conditions, always perform a test installation and a functional test with a corresponding data carrier on just one locker of the system prior to the complete installation of subsequent lockers.



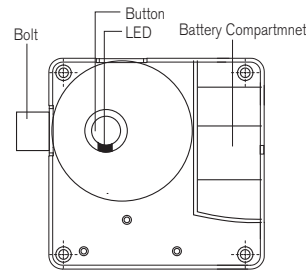
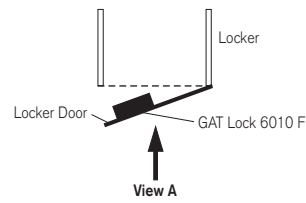
Notice:

- Please ensure the housing of the GAT Lock 6010 F does not foul the inside of the locker body on opening/closure of locker door.
- Select the appropriate length and type of the 4 fastening screws.
- The button must be centered in the drilled hole.
- The opening of the battery compartment should not be hindered by other components
- Do not use any metallic front labels.

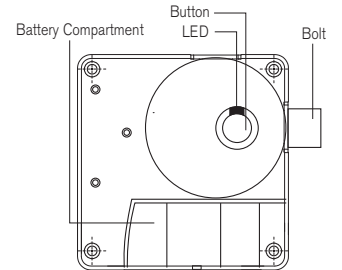
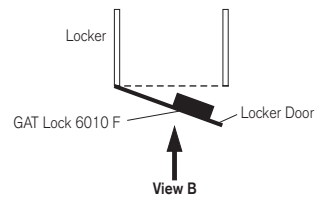
Doors opening

There are doors which can be open to the right or left. The locker electronics should be positioned accordingly (please refer to the Manual GAT Lock 6010 F).

left-side mounted door:

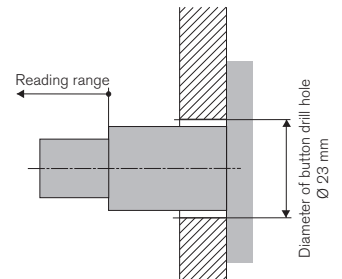
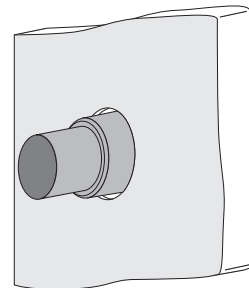


right-side mounted door:

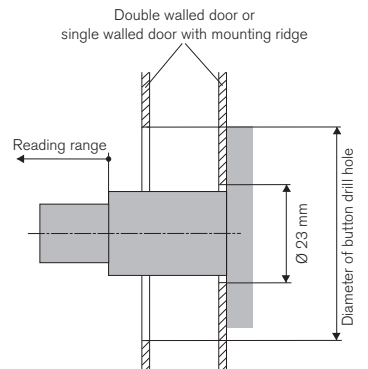
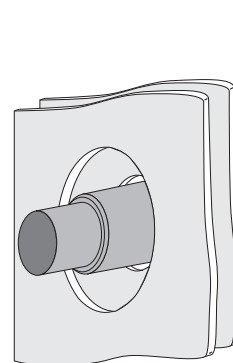


Drill hole for the button

For the button, drill a hole into the locker door. For non-metallic locker doors, the diameter of the button drill hole is 23 mm. The read/write range of the data carriers depends on the types of data carriers (refer to the Manual GAT Lock 6010 F).



For metallic locker doors, other values apply for the button drill hole and the read/write ranges (refer to the Manual GAT Lock 6010 F).

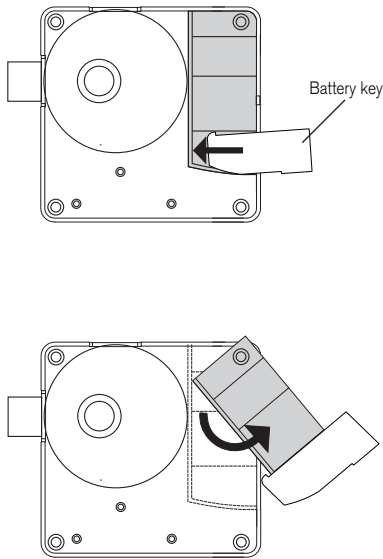


Set up and configuration

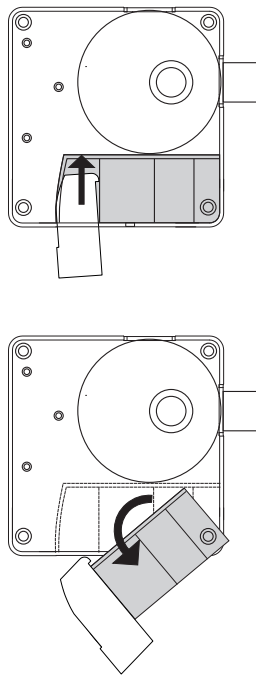
Power supply

The unit is powered by a 6 V battery (see technical data). In order to open the battery compartment of the GAT Lock 6010 F, the corresponding key must be used.

left-side mounted door:

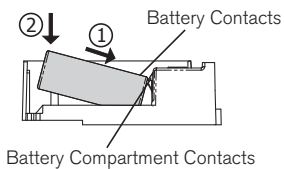



right-side mounted door:




Inserting the battery:

1. Ensure polarity is matched.
2. Press the battery until it locks into place.

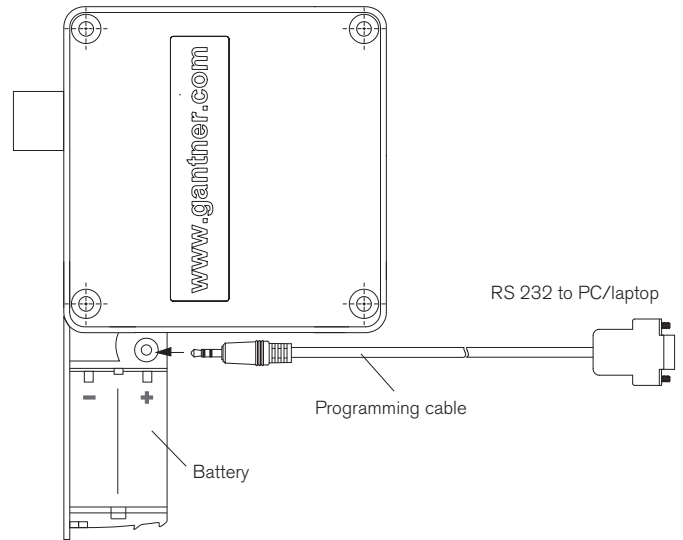


 Only insert the battery once the GAT Lock 6010 F has been mounted and the lockers have been installed in their final position.

 Only use batteries of the listed manufacturers in the technical data on page 2!

Configuration

The configuration of the GAT Lock 6010 F by means of a PC/laptop is performed by connecting the GAT Lock 6000 B programming cable between the PC/laptop and the RS 232 interface in the battery compartment. Communication is then activated with the service card. The programming cable and service card are included in the GAT Lock Basic Set 6000 F.



A detailed description of the configuration can be found in the Manual GAT Lock 6010 F.

Safety instructions



- This device must be installed by qualified personnel only.
- The applicable safety and accident prevention regulations must be observed.
- Safety devices must not be removed.
- Please observe the technical data of the device specified on the data sheet.
- Remove the battery during the transportation of the locker.