



# Turnstile Access Terminal

## DESCRIPTION



Check point  
for Metra RFID  
tickets.

Controls  
various types  
of access  
control  
barriers from  
different  
manufacturers.

Turnstile Access Terminal is a standalone check point for Metra RFID tickets. It can drive various types of access control barriers from different manufacturers. The device's main advantage is that for exit control a patented Metra **Wristband Capturer** can be integrated to allow Ticket retain feature. Captured tickets are accumulated in stainless steel housing.

For the direction that doesn't need to capture tickets stand alone pillar without wristband capturer is available (see table).

Housing types are combination of pearl finish stainless steel body and melamine plate mask.

Turnstile Access Terminal is connected to Metra NET network. When RFID Ticket is presented, access rights are checked in the Metra LCC NET Software check engine. If valid, the unit drives access control barrier in desired direction.

Passage on Turnstile Access Terminal for a particular ticket can also be externally controlled by 3rd party SW via TCP/IP software interface. Metra software is used for event analyses and definition of operating parameters.

Two relay outputs and two signal inputs are available to drive attached access barrier.

- **Standalone check point for Metra RFID tickets**
- **Designed to control various access mechanisms from different vendors**
- **Master Unit (one-way access control) with possibility to attach Slave Unit to provide two-way access control**
- **Different RFID media supported as tickets**
- **Ticket retain option with patented "Wristband Capturer"**
- **Passage for particular ticket can be authorised externally via TCP/IP software interface**
- **Stainless steel housing with ticket capture capability**
- **Audio and visual LED signalisation**
- **Operating parameters defined in Metra software**

**Metra**  
inženiring d.o.o.

Špruha 19  
1236 Trzin  
Slovenia  
tel.: +386 1 561 07 40  
fax: +386 1 561 07 44  
www.metra.si

## TICKET RETAINING:

### What is ticket retain feature?

This function allows re-using of various tickets. For that innovative feature Metra has developed and patented contact-less “Wristband Capturer” (WBC) together with contactless RFID Wristband. The device grants exit through passage mechanism only when the ticket is successfully erased and retained. This dramatically cuts costs of the system operation and the chance of fraud. A ticket will be retained under following conditions:

- Retain request written on it/assigned to it.
- It is presented to the retaining device.



## TECHNICAL DATA:

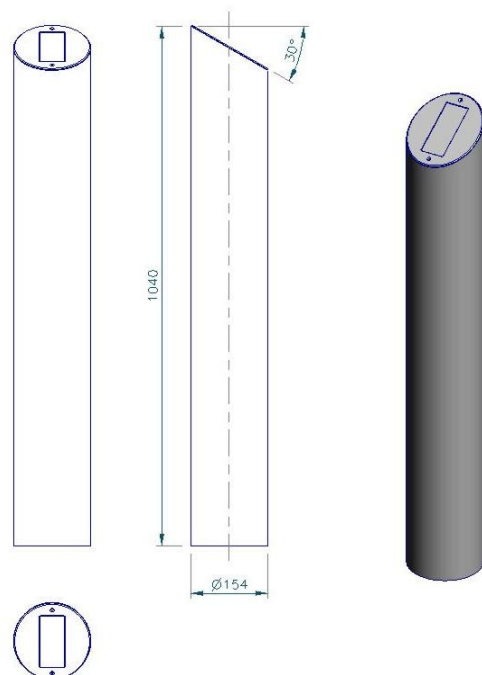
### All versions:

- Power 24 V DC / max. 2.5 A
- Two relay outputs to drive different Access Mechanisms (go, direction) (*Master only*)
- RS 232 serial channel to drive Access Mechanism (*Master only*)
- Access Mechanism status input (busy/ready) (*Master only*)
- Additional Access Mechanism last action state input (passage OK) (*Master only*)
- Two additional pushbutton inputs to remotely activate passage in each direction (*Master only*)
- Metra NET (CAN) Network (*Master only*)
- Non volatile memory to store operational parameters
- Temperature working range: -10 °C up to +50 °C

Directions are divided on “single direction” and “other direction” referring to a single rotating mechanism. Both directions together are referred to as “bidirectional”.

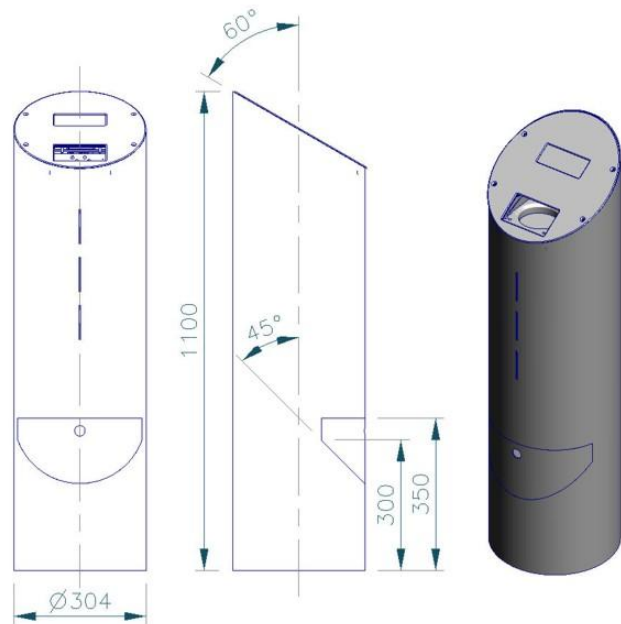
### Turnstile Access Terminal Master/Slave with Reader

- Standalone stainless steel pillar tube housing
- Dimensions in mm (h/diameter): 1050 / 154
- No ticket capture option



## Turnstile Access Terminal Master with Wristband Capturer

- Standalone stainless steel pillar tube housing with ticket capture capability
- Integrated contact-less Wristband Capturer with ticket capture function
- Holds up to 200 Wristbands
- Wristband container for collecting captured Wristbands is included
- Dimensions in mm (h/diameter): 1100 / 304



## HOW TO ORDER?

1	2	3	4	5	6	7
<b>TAT Master/Slave with Reader</b>						
EL	TA	IS MF	-	M S	T	- _XXX
<b>TAT Master with Wristband Capturer</b>						
EL	TA	IS MF	R	M	T	- _XXX

### NOTE:

For ticket capturing option (Wristband Capturer integrated) use only Metra Wristbands or Metra Clips.

### Column 1:

EL ... Supports standard RFID Tickets.

### Column 2:

TA ... Turnstile Access Terminal

### Column 3:

Describes type of the RFID ticket supported.

IS	ISO reader 13.56 MHz. Reads all ISO15693 and ISO14443 A/B compatible RFID Tickets.
MF	Mifare reader. Reads all ISO14443 A/B compatible RFID Tickets.

### Column 4:

Describes Ticket Capture option.

R	Wristband Capturer integrated (Master only).
-	Without capture capability.

### Column 5:

Describes Turnstile Access Terminal electronics.

M	One direction (Master).
S	Other direction (Slave, combination with master only).

### Column 6:

Describes type of housing.




T	Standalone stainless steel pillar tube.
---	---



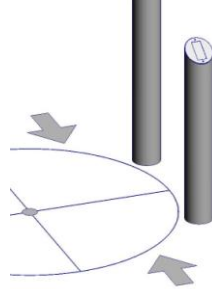
See next page...

**Column 7:**

- ... Standard colour combination (supplied with antenna's/WBC's front mask in grey colour).  
 XXX ... Reserved for additional colour coding. Contact Metra sales for colour options.

**EXAMPLES:**

Single direction (Master):	Possible combinations for other direction (Slave):	
 <p>Tube pillar housing with ticket capture capability and integrated Wristband Capturer, master device</p>	 <p>Tube pillar housing, slave device with reader</p>	 <p>Situation: bidirectional</p>
<p><b>ELTA*_RMT</b></p>	<p><b>ELTA*_ST</b></p>	
<p><i>Note: Ticket capture is possible on one side (example for right orientation)</i></p>		

 <p>Tube pillar housing, master device with reader and no ticket capture</p>	 <p>Tube pillar housing, slave device with reader</p>	 <p>Situation: bidirectional</p>
<p><b>ELTA*_MT</b></p>	<p><b>ELTA*_ST</b></p>	
<p><i>Note: Ticket capture is NOT possible.</i></p>		

**ORDER CODES Accessories:**

**Wristband container**

For storage and for collecting captured Wristbands.  
 Build in handle for carrying.  
 Dimensions (w/h/l) in mm: 32.5/25.5/51

**ORDER CODE:  
 EB001165**



**Note:**  
 Wristbands are not included!

---

**Anchor for Turnstile Access Terminal pillar tube housing**

**ORDER CODE:  
EB001009**



---

**Anchor for Turnstile Access Terminal pillar tube housing  
with Wristband Capturer**

**ORDER CODE:  
EB001135**



---

**Power supply: 24 V / 2.5 A**

- Input: 100 – 240 VAC / 70 W / 50 – 60 Hz
- Input cable length: 1.5 m
- Input connector: EU standard 230 VAC connector
- Output: 24 VDC / 2.5 A
- Output cable length: 1.4 m
- Output connectors: Insulated ferrules 1.00
- Temperature operating range: 0 °C up to +70 °C

**ORDER CODE:  
PS2425E**



---

**TAT Master – Slave connection cable:**

- Length: 7m

**ORDER CODE:  
SM040006**

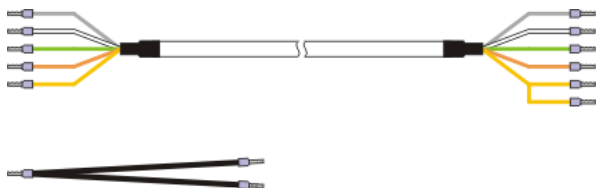


---

**TAT - SkiData Turnstile connection cables:**

- Length: 7m and 60mm

ORDER CODE:  
**SM040007**



---

**TAT - Gotschlich Baden connection cables:**

- Length: 7m

ORDER CODE:  
**SM040008**



---

**TAT - Gotschlich Ikarus connection cables:**

- Length: 7m and 60mm

ORDER CODE:  
**SM040009**



---

**TAT - Gotschlich with Logiturn II connection cables:**

- Length: 7m and 60mm

ORDER CODE:  
**SM040011**

